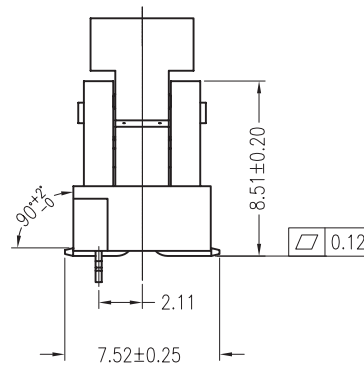
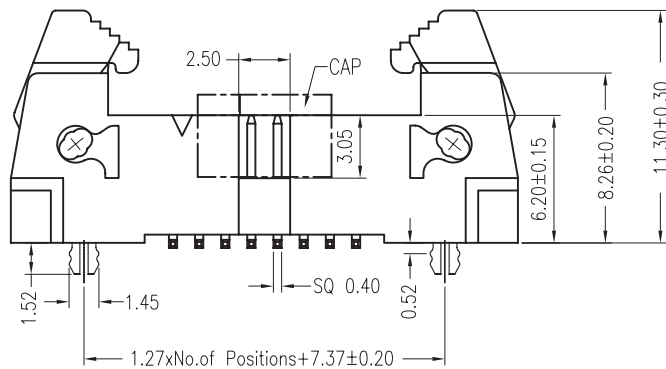
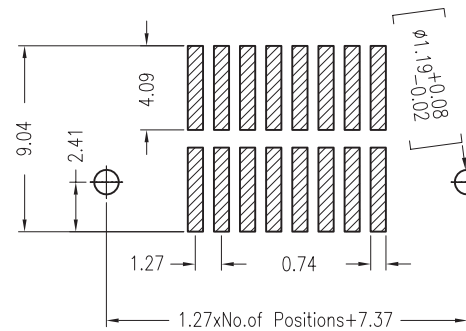


Recommended P. C. B Layout (Top Side)
(PCB BOARD TOLERANCE ± 0.05)



Specifications

- Current Rating: 1.75 Amps
- Insulator Resistance: 5000 Megohms min.
- Contact Resistance: 20 m ohms max.
- Dielectric Withstanding: 500V AC/DC
- Operating Temperature: -55°C to +125°C
- Contact Material: Brass
- Insulator Material: LCP + 30% G.F., UL94V-0
- Contact Plated: *see options below
- Standard: Full Gold Flash

Part Numbering System

LH127C-S - XX - X X X X

- Series** — LH
 - No. of Contact** — 12
 - Locking Clip** — C
 - Contact Plating** — S
 - Packaging** — B
 - Insulator Material** — L
- Nil = Without Locking Clip
C = Locking Clip
B = Tube
PB = Tube + Plastic Cap
PT = Tape and Reel + Plastic Cap
L = LCP

* Contact Plating Option	Full Gold Plating	Gold Plated On Contact Area Tin Plated on Solder Area	Full Tin Plating
	G : Gold Flash G10: Gold 10u" G15: Gold 15u" G30: Gold 30u"	S: Gold Flash S10: Gold 10u" S15: Gold 15u" S30: Gold 30u"	T: Tin 100u"

General Tolerance	
X. ± 0.50	X.° ± 5°
.X ± 0.20	.X° ± 2°
.XX ± 0.10	.XX° ± 1°
Units : mm	